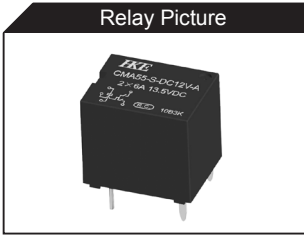
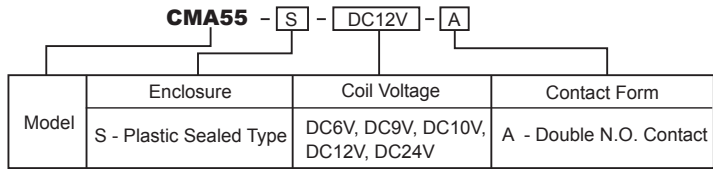




- ### Features
- Microminiature automotive relay
Dimensions: 15.6×12.2×13.7(mm)
 - Double make contact
 - Applications: car alarm, reverse sensor, etc



ORDERING INFORMATION



SPECIFICATION

CONTACT DATA

Contact Form	Double N.O. Contact	
Contact Material	Ag Alloy	
Contact Rating	2 × 6A 13.5VDC Resistive	
Contact Resistance	Max. 100mΩ (6VDC 1A)	
Load	Max. Continuous current	2×10A (23℃, 1h)
	Max. Switching Current	2×10A
	Min. Switching Load	6VDC 1A
Life	Electrical	100,000 operations
	Mechanical	10,000,000 operations

GENERAL DATA

Insulation Resistance		Min. 100MΩ 500VDC
Dielectric Strength	Between open contacts	550VAC, 1min
	Between coil and contacts	550VAC, 1min
Operate Time		Max. 10ms
Release Time		Max. 5ms
Operating Temperature		-40℃ to +85℃
Humidity		35~95%RH, +40℃
Shock Resistance	Endurance	1,000m/s ²
	Misoperation	100m/s ²
Vibration Resistance	Endurance	10~55Hz, 1.5mm double amplitude
	Misoperation	10~55Hz, 1.5mm double amplitude
Weight		Approximately 6.0g

COIL DATA

Nominal Coil Power	1.0W
--------------------	------

Note: Data shown are of initial value

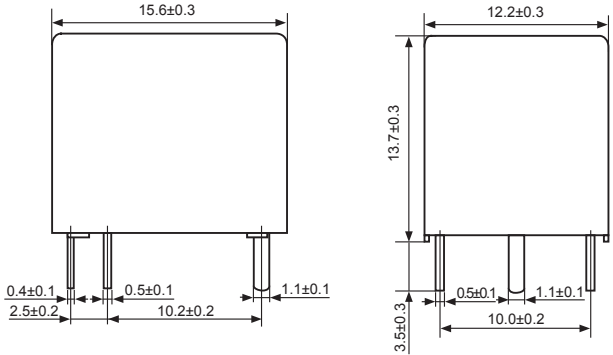
COIL DATA

Ambient Temperature: 23℃

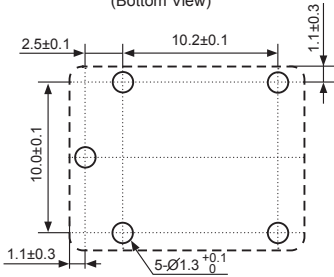
Model	Nominal Voltage VDC	Coil Resistance Ω±10%	Operate Voltage ≤VDC	Release Voltage ≥VDC	Coil Power W
CMA55-S-DC6V	6	36	3.5	0.6	1.0
CMA55-S-DC9V	9	81	5.2	0.9	
CMA55-S-DC10V	10	100	5.8	1.0	
CMA55-S-DC12V	12	144	6.9	1.2	
CMA55-S-DC24V	24	576	14.0	2.4	

OUTLINE, WIRING DIAGRAM, MOUNTING HOLE LAYOUT (UNIT: mm)

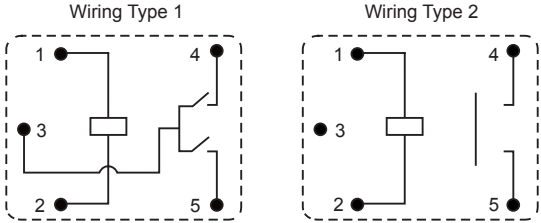
Outline



Mounting Hole Layout (Bottom View)

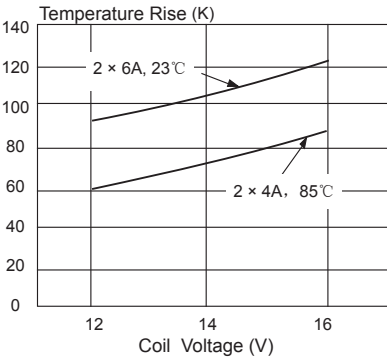


Wiring Diagram (Bottom View)



REFERENCE DATA

Coil Temperature Rise



Operate, Release Voltage VS. Temperature (12VDC)

