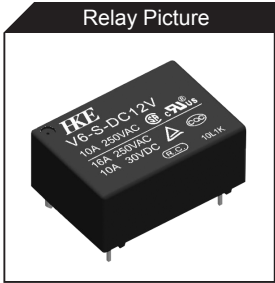
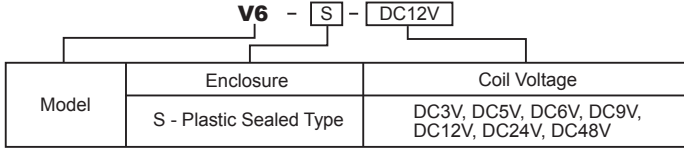




Features	
<ul style="list-style-type: none"> <li>Low profile, flat type relay Dimensions: 23.0×16.1×10.2(mm)</li> <li>Max. Switching capacity: 15A</li> <li>Tungsten lamp load: 10A 125VAC</li> <li>High sensitivity 200mW</li> </ul>	
Safety Approval	
NO.1460119	NO.CQC08002027612
NO.50116138	US NO.E164730



### ORDERING INFORMATION



Remarks: 1. Available in 1 Form A only 2. Coil voltage 3 to 24VDC - Coil power: 200mw, 48VDC: 250mw

### SPECIFICATION

#### CONTACT DATA

Contact Form	1 Form A	
Contact Material	Ag Alloy	
Contact Rating	15A125VAC 10A 250VAC/24VDC	
Contact Resistance	Max. 100mΩ (6VDC 1A)	
Load	Max. Switching Voltage	250VAC/30VDC
	Max. Switching Current	16A
	Max. Switching Power	4,000VA, 480W
	Min. Switching Load	5VDC, 100mA
Life	Electrical	100,000 operations
	Mechanical	10,000,000 operations

#### GENERAL DATA

Insulation Resistance	Min. 1000MΩ 500VDC	
Dielectric Strength	Between open contacts	750VAC, 1min
	Between coil and contacts	2,500VAC, 1min
Operate Time	Max. 15ms	
Release Time	Max. 8ms	
Operating Temperature	-40℃ to +85℃	
Humidity	35~95%RH, +40℃	
Shock Resistance	Endurance	1,000m/s <sup>2</sup>
	Misoperation	100m/s <sup>2</sup>
Vibration Resistance	Endurance	10~55Hz, 1.5mm double amplitude
	Misoperation	10~55Hz, 1.5mm double amplitude
Weight	Approximately 9.00g	

Note: Data shown are of initial value

#### COIL DATA

Nominal Coil Power	200mW
--------------------	-------

#### SAFETY APPROVAL

File Number	Contact Form	Power Consumption	Coil Voltage	Contact Rating	Remarks
UL E164730	A	0.2W	3 - 48VDC	10A 250VAC	Class F Insulation Ambient Temperature: 105℃
				13A 125VAC	
				Tungsten lamp load: 10A 125VAC	Class F Insulation Ambient Temperature: 85℃
				15A 125VAC	
	TV-5 125VAC				
	A	0.2W	3 - 48VDC	1/2HP 120VAC	Ambient Temperature: 85℃



**SAFETY APPROVAL**

File Number	Contact Form	Power Consumption	Coil Voltage	Contact Rating	Remarks
CSA 1460119	A	0.2W	3 - 48VDC	10A 250VAC	—
				Tungsten lamp load: 10A 125VAC	Ambient Temperature: normal
TUV 50116138-0001	A	0.2W	3 - 48VDC	16A 250VAC	Ambient Temperature: 85°C
				10A 30VDC	Ambient Temperature: 85°C
TUV 50116138-0002 (EN60730-1)	A	0.2W	3 - 48VDC	16(3)A 250VAC	Ambient Temperature: 85°C
CQC 08002027612 (GB/T 21711.1-2008)	A	0.2W	3 - 48VDC	16A 250VAC	Ambient Temperature: 85°C

Specifications subject to change without notice

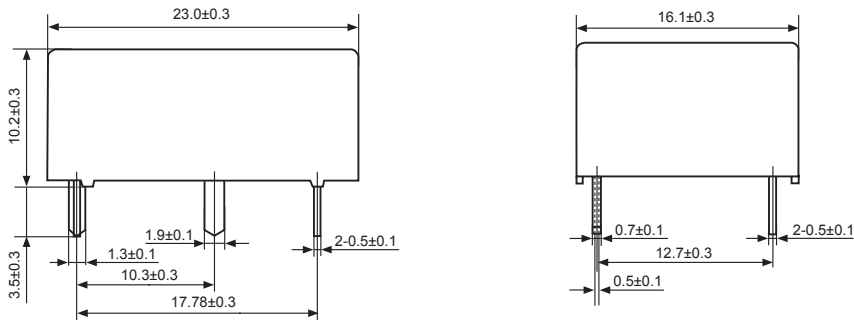
**COIL DATA**

Ambient Temperature: 23°C

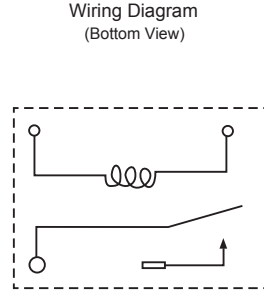
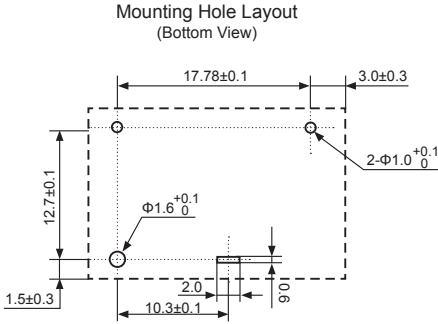
Model	Nominal Voltage VDC	Coil Resistance $\Omega \pm 10\%$	Operate Voltage $\leq$ VDC	Release Voltage $\geq$ VDC	Coil Power mW
V6-S-DC3V	3	45	2.25	0.30	200
V6-S-DC5V	5	125	3.75	0.50	
V6-S-DC6V	6	180	4.5	0.60	
V6-S-DC9V	9	405	6.75	0.90	
V6-S-DC12V	12	720	9.0	1.20	
V6-S-DC24V	24	2880	18.0	2.40	
V6-S-DC48V	48	9216	36.0	4.80	250

**OUTLINE, WIRING DIAGRAM, MOUNTING HOLE LAYOUT (UNIT: mm)**

Outline

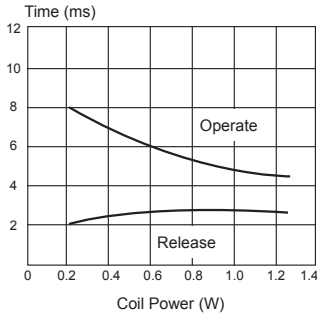


OUTLINE, WIRING DIAGRAM, MOUNTING HOLE LAYOUT (UNIT: mm)

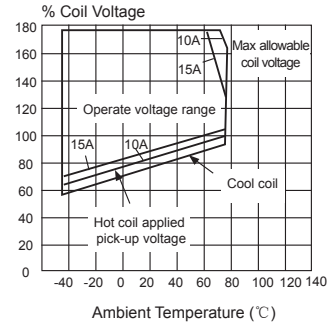


REFERENCE DATA

Time Curve



Operating Range



Life Curves

